

**SPECIFICATIONS:**

- FREQUENCY: 6.0 GHz TO 18.0 GHz
- INSERTION LOSS: 3.0 dB MAX, 2.5 dB TYP.
- ISOLATION: 65 dB MIN
- SPEED: DELAY ON: 500ns MAX, 100ns TYP.  
DELAY OFF: 500ns MAX, 100ns TYP.
- CONTROL: SEE TABLE 1
- POWER SUPPLY: +5V @ 100 mA MAX.  
-12V @ 100 mA MAX.
- TEMPERATURE: -54°C TO +85°C (OPERATING)
- CONNECTORS: SMA FEMALE ( REMOVABLE )
- SIZE 1.00 (L) x 1.00 (W) x 0.75 (H)
- WEIGHT 1.5 OZ. MAX.

REVISIONS				
ZONE	REV.	DESCRIPTION	DATE	APPROVED
-	-	ORIGINAL RELEASE	1/15/99	

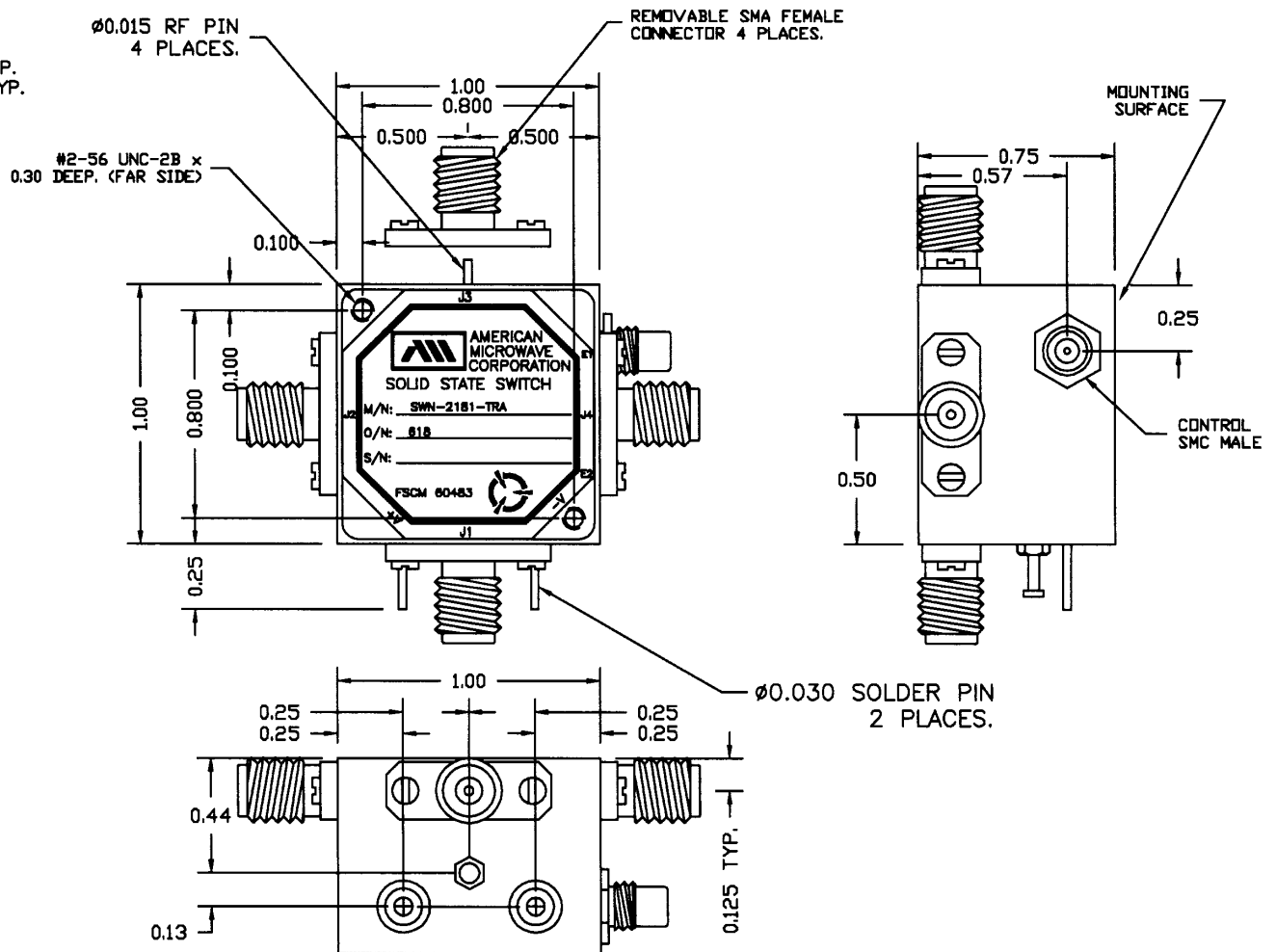


TABLE I

TTL LOGIC	LOW LOSS PATH	ISOLATED PATH
0	J1-J2 J3-J4	J1-J4 J2-J3
1	J1-J4 J2-J3	J1-J2 J3-J4

NOTE:

- DR=WITH DRIVER, REFLECTIVE
- DT=WITH DRIVER, NON-REFLECTIVE/ABSORPTIVE

**ENVIRONMENTAL RATINGS:**

- TEMPERATURE: -55°C TO +85°C (OPERATING)  
-65°C TO +125°C (STORAGE)
- HUMIDITY: MIL-STD-202F, METHOD 103B COND. B
- SHOCK: MIL-STD-202F, METHOD 213B COND. B
- VIBRATION: MIL-STD-202F, METHOD 204D COND. B
- ALTITUDE: MIL-STD-202F, METHOD 105C COND. B
- TEMPERATURE CYCLE: MIL-STD-202F, METHOD 107D COND. A

NOTE: THE ABOVE SPECIFICATIONS ARE SUBJECT TO CHANGE OR REVISION

ALL DIMENSIONS ARE IN INCHES  
TOLERANCES:

- X.XX ±0.020
- X.XXX ±0.010

CONTRACT NO.		AMERICAN MICROWAVE CORPORATION FREDERICK, MARYLAND	
APPROVALS	DATE	TITLE	
DRAWN K SIMMS	1/15/99	OUTLINE DRAWING SWN-2181-TRA OPTION 618 TRANSFER SWITCH	
CHECKED		SIZE	REV.
ISSUED		A 60483	-
		DWG NO.	
		100-4706-1	
		SCALE N/S	SHEET 1 of 1